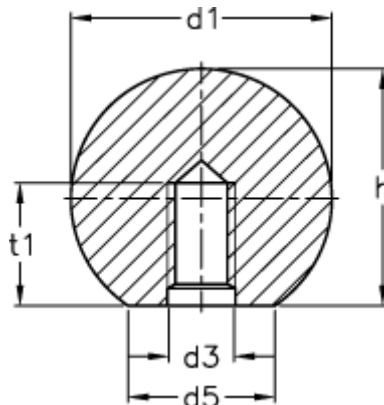


Article number: 20128468

Description: E+G Ball knob DIN 319-AL-50-M12-C

## Measures

---



d1	= 50
d3	= M12
d5	= 27
h	= 46.0
t1 min.	= 21.0